

# Technical Bulletin

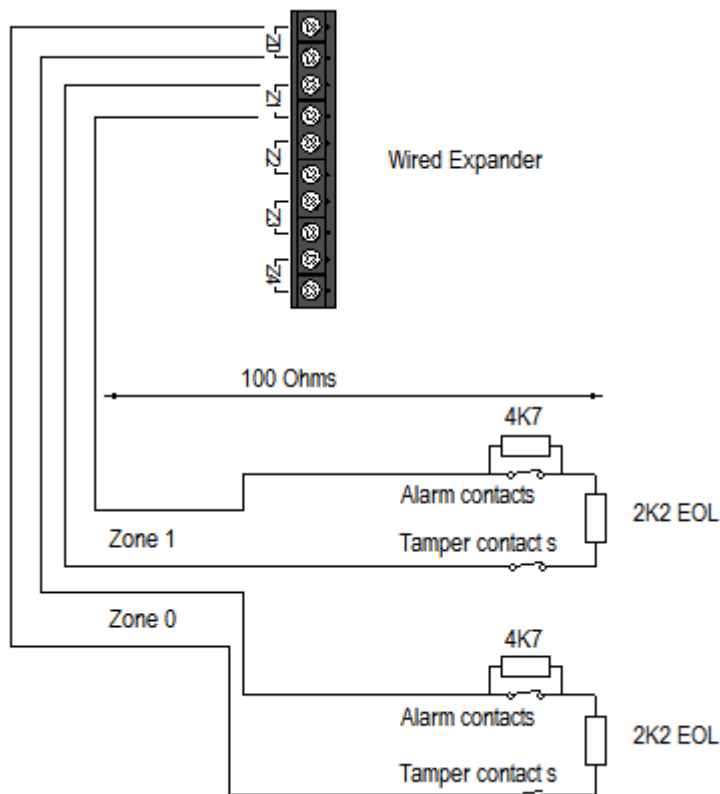
touchpoint  
Partner Programme

Technical Support  
Tel: +44 (0)1594 541978

Bulletin Ref: 11\_0005  
Date: 28th November 2011

## EXP-W10 Wired Expander

This bulletin applies to the EXP-W10, and the Installation Guide part number 12019972. The installation guide shows the FSL zone wiring as using three terminals for every two zones. This is incorrect. Each zone has its own dedicated pair or terminals. The diagram below shows the correct wiring:



Please note that the Installation Guides for the i-onEX range of control units show the correct wiring method for EXP-W10.